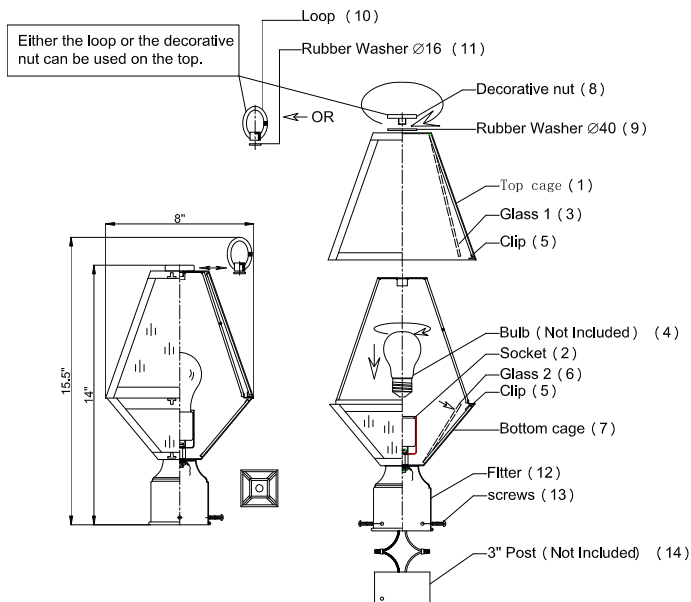


CRYSTORAMA

95 Cantiague Rock Road , Westbury, NY 11590 • toll free: 1.800.888.4470 fax: 516.931 .1254 • info@crystorama.com • www.crystorama.com

MODEL#: GLA-9707-BC ASSEMBLY INSTRUCTIONS



Assembly:

1. To install glass panels, separate the Bottom Cage (7) and the Top Cage (1), by removing the Decorative Nut (8) And Rubber washer(9).
2. Bend glass Clip (5) and slide Glass #1(3) into the Top Cage (1) and Glass # 2(6) into the Bottom Cage (7).
3. Bend glass Clip (5) to secure Glass # 1(3) and Glass # 2(6)
4. Install the bulb (4) to the socket (2).
5. Connect the Bottom Cage (7) and the Top Cage (1), by screwing in Decorative Nut (8) to secure cage.
6. The Fitter(12) can now be mounted to the Post(14) by screws(13) .
- 7.To replace the top finial. Screw off the Decorative Nut(8),take down Rubber Washer(9).Bring the Loop(10) and Rubber Washer(11) From the parts bag .Screw Rubber Washer(11),the Loop(10).

Replacement Glass installation:

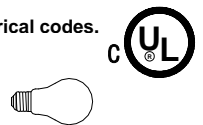
- 1 .Follow instructions # 1 through # 3 above to install new glass. Complete by connecting the Bottom Cage (7) and the Top Cage (1) by screwing in Decorative Nut (8) to secure cage.

Bulb replacement:

1. Separate the Bottom Cage (7) and the Top Cage (1), by removing Decorative Nut (8).
2. Install the bulb (4) into the socket
3. Complete by connecting the Bottom Cage (7) and the Top Cage (1) by screwing in Decorative Nut (8) to secure cage.



All electrical components must be installed by a licensed electrician in accordance with the National Electric Code and the appropriate local electrical codes.



You will need 1 – Med.Bulb

40 Watts Recommended

100 Watts Max

USE LED BULBS FOR EXTENDED USE

California T24 JA8-2016 Qualified: Satco

(S9612); 10.5 watt LED Medium Base

recommended. Bulb not included

2017-09-14