

# CRYSTORAMA

LIGHTING THE WAY FOR SIXTY YEARS

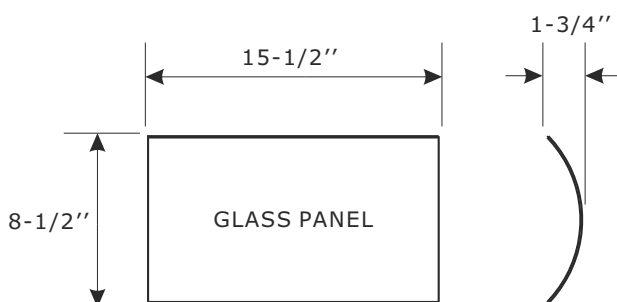
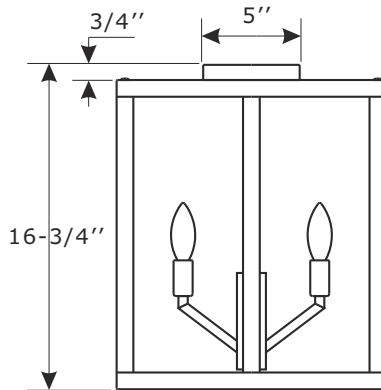
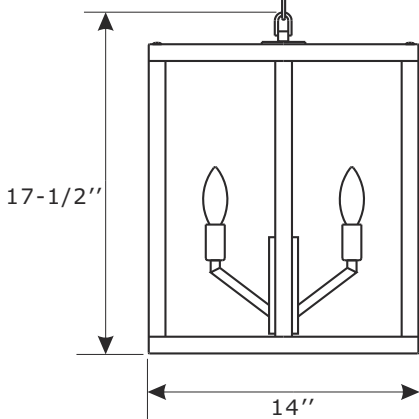
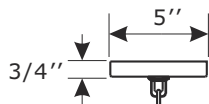
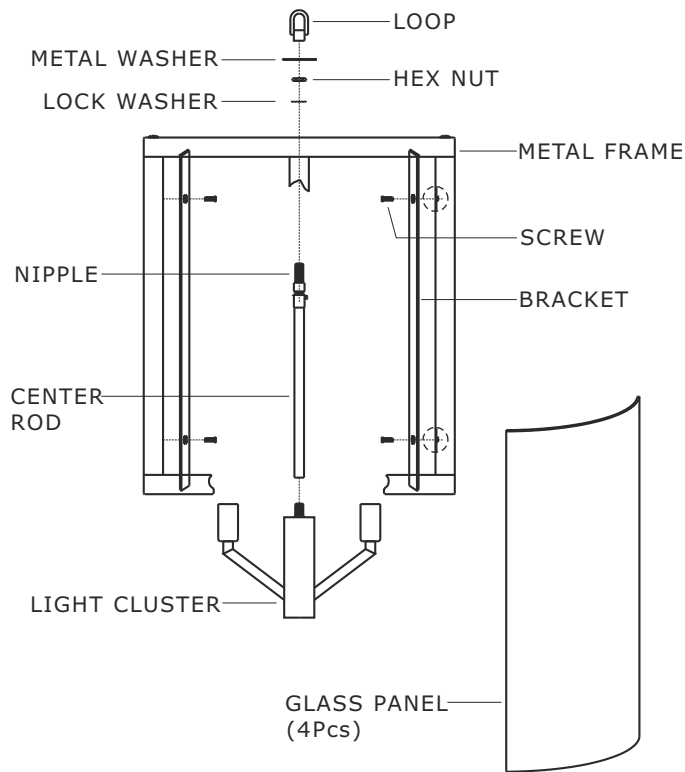
ASSEMBLY INSTRUCTION MODEL#DEV-B8004-PN



All electrical components must be installed by a licensed electrician in accordance with the National Electric Code and the appropriate local electrical codes.



You will need 4- Candelabra Base Bulb  
40 Watts Recommended 60 Watts Max.  
USE LED BULBS FOR EXTENDED USE  
This fixture is Damp rated



## How to install

### For hanging:

1. Install the glass inside the metal frame and secure it with the bracket and screws.  
"Please do not overtighten the screw to avoid the glass from breaking"
2. Slip the center rod along wire and thread onto the nipple on the top of the light cluster.
3. Secure the light cluster assembly to metal frame with the lock washer and hex nut.
4. Slip the metal washer over the nipple, and thread the loop onto the nipple.

### For ceiling:

1. Remove the loop and metal washer.
2. Install the glass inside the metal frame and secure it with the bracket and screws.  
"Please do not overtighten the screw to avoid the glass from breaking"
3. Slip the center rod along wire and thread onto the nipple on the top of the light cluster.
4. Secure the light cluster assembly to metal frame with the lock washer and hex nut.
5. Slip the canopy with 2-hole, the metal washer and lock washer over the nipple, then secure with the big hex nut.
6. Thread the mounting screws into the matching holes of the mounting bar, and tighten with the small hex nut.
7. Secure the mounting bar to the outlet box with the outlet box screws.
8. Raise canopy allowing the mounting screws to protrude through the holes in the canopy, and secure with the finials.
9. Install the bulb(not included) into socket.

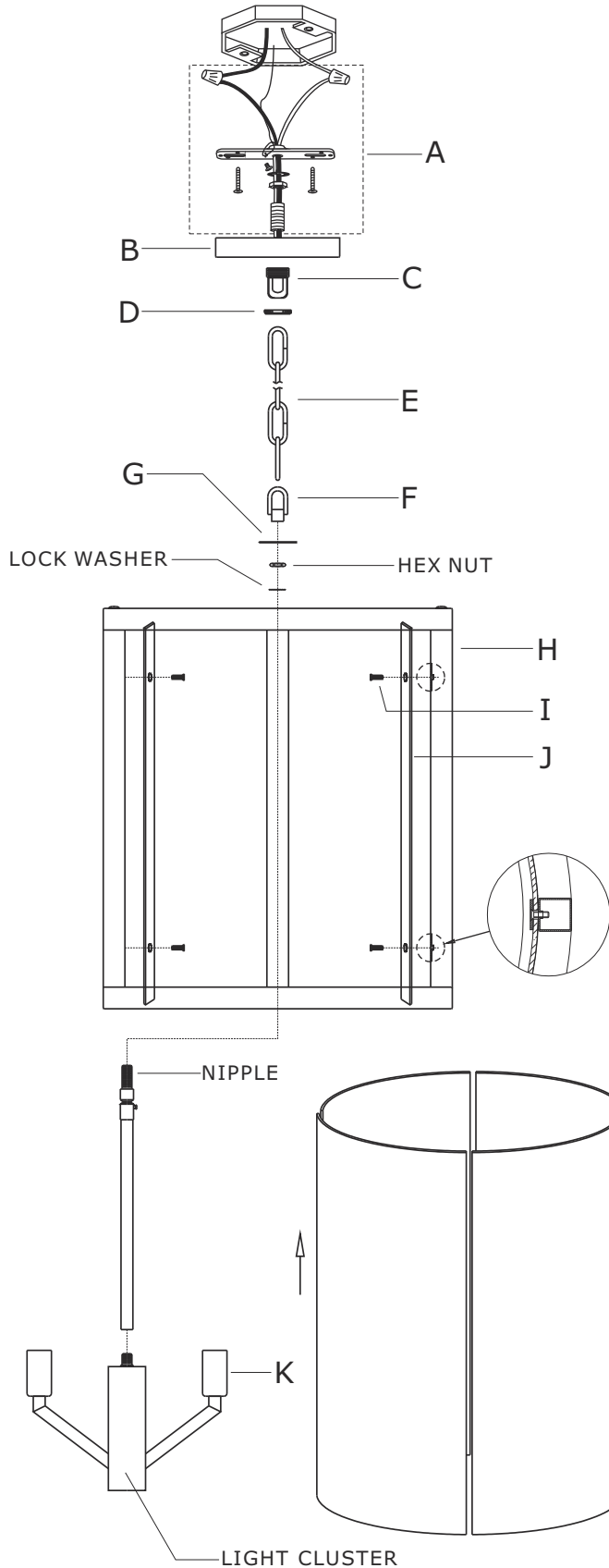
**WARNING:** This product can expose you to Lead which is known to the state of California to cause cancer and/or birth defects or reproductive harm. For more information go to [www.P65Warnings.ca.gov](http://www.P65Warnings.ca.gov)

# CRYSTORAMA

LIGHTING THE WAY FOR SIXTY YEARS

PART NUMBER MODEL#DEV-B8004-PN

## FOR HANGING:



## Part Number

### Part Numbers

- A. (1)-Mounting hardware
- B. (1)-Canopy W5"xH3/4" #XRF8004PNCANH
- C. (1)-Collar Loop
- D. (1)-Collar ring
- E. (1)-Chain -L72", 4mm thick #XRF8003PNCHA4MM
- F. (1)-Loop
- G. (1)-Metal washer
- H. (1)-Metal frame
- I. (8)-Screw
- J. (4)-Bracket W3/4"xH15-1/2"
- K. (4)-Socket
- L. (4)-Glass panel #XRF8004GLA8.5IN
- M. (1)-Canopy with 2-hole W5"xH3/4" #XRF8004PNCANC
- N. (2)-Finial #XRF8003PNFIN

## FOR CEILING:

