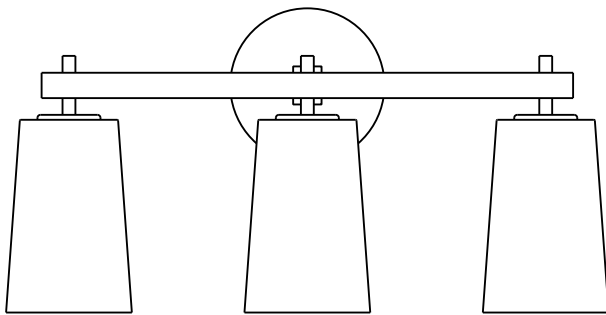
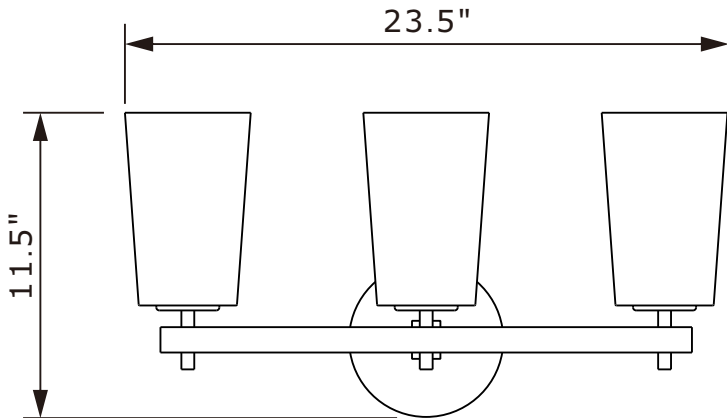


CRYSTORAMA

LIGHTING THE WAY FOR SIXTY YEARS

ASSEMBLY INSTRUCTION MODEL #COL-103-AG

The fixture can be mounted either upwards or downwards.



All electrical components must be installed by a licensed electrician in accordance with the National Electric Code and the appropriate local electrical codes.



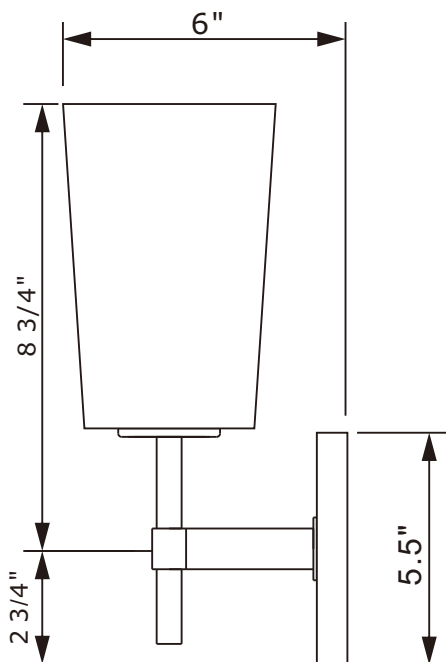
You will need 3 -Medium Base Bulb
60 Watts recommended 60Watts Max.
USE LED BULBS FOR EXTENDED USE

The fixture is Damp rated.

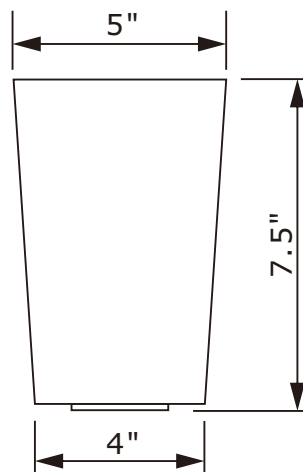
How to Install

1. Install the mounting plate onto the outlet box using two outlet box screws.
2. Attach the backplate over the mounting plate and secure with the screws.
3. Place the glass shade over the socket and secure with socket ring. Repeat for other 2 glass shades.

DETAILED ILLUSTRATION



Side View



Glass Shade

WARNING: This product can expose you to Lead, which is known to the State of California to cause cancer and/or birth defects or reproductive harm. For more information go to www.P65warnings.ca.gov

CRYSTORAMA

LIGHTING THE WAY FOR SIXTY YEARS

PART NUMBER MODEL #COL-103-AG

Part Number

Part Numbers

- A. (2)-Wire Connector
- B. (1)-Mounting plate
- C. (2)-Screw
- D. (1)-Backplate (Ø5.5")
-XSN101AGBKP5.5IN
- E. (3)-Socket Ring
- F. (3)-Glass Shade; W5", H7.5"
-XSN101SHA
- G. (3)-Socket

