

CRYSTORAMA

LIGHTING THE WAY FOR SIXTY YEARS



Crystorama.com

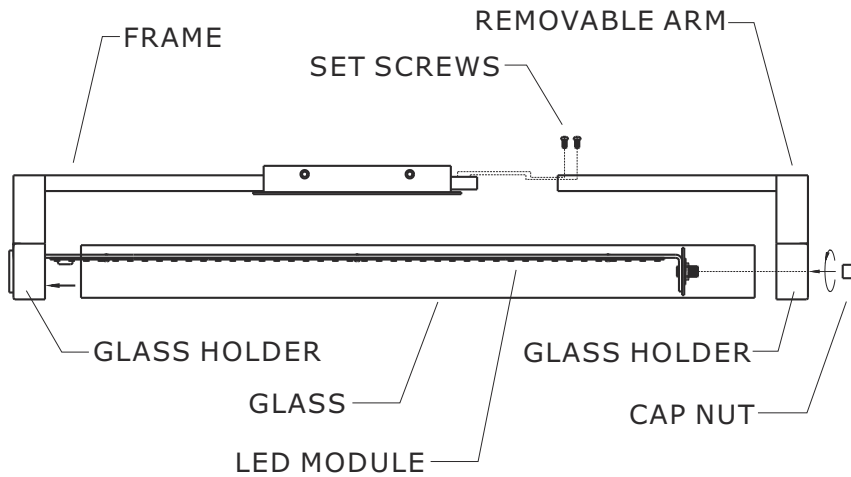
ASSEMBLY INSTRUCTION MODEL#CLT-7201-VG



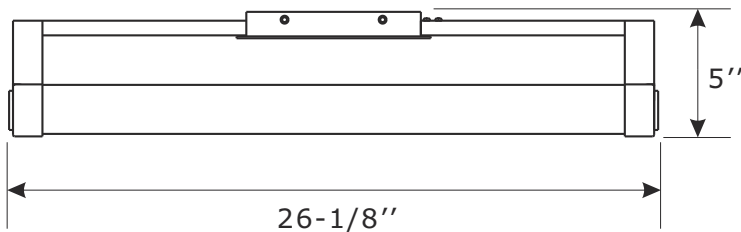
All electrical components must be installed by a licensed electrician in accordance with the National Electric Code and the appropriate local electrical codes.



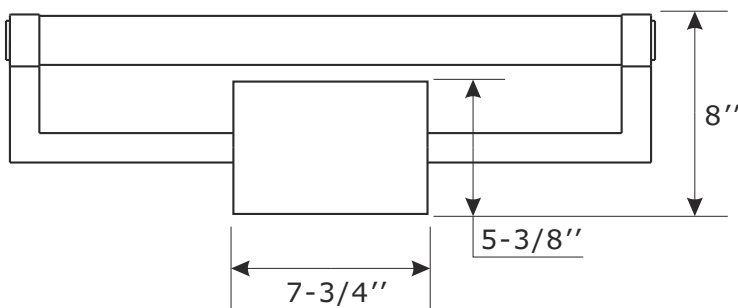
You will need 1 LED Module, 28 Watts Bulb included.
This fixture is Damp rated



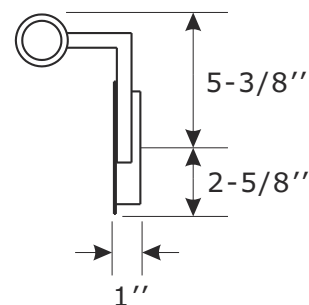
TOP VIEW



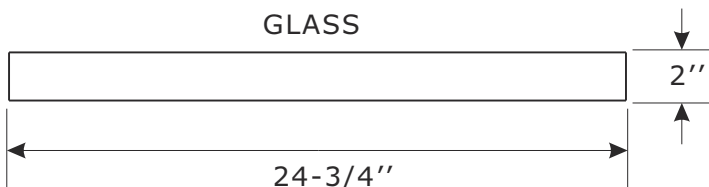
FRONT VIEW



SIDE VIEW



GLASS



WARNING: This product can expose you to Lead which is known to the state of California to cause cancer and/or birth defects or reproductive harm. For more information go to www.P65Warnings.ca.gov



ASSEMBLY INSTRUCTION MODEL#CLT-7201-VG

Part Number

Part Numbers

- A. (1)-Mounting hardware
- B. (1)-Mounting plate
- C. (1)-Backplate L7-3/4"xW5-3/8"xH1" #XRF7201VGBKP7.75IN
- D. (4)-Mounting screw
- E. (2)-Set screw
- F. (1)-Glass W2"xL24.75" #XRF7201GLA24.75IN
- G. (1)-Cap nut

