

CRYSTORAMA

LIGHTING THE WAY FOR SIXTY YEARS



Crystorama.com

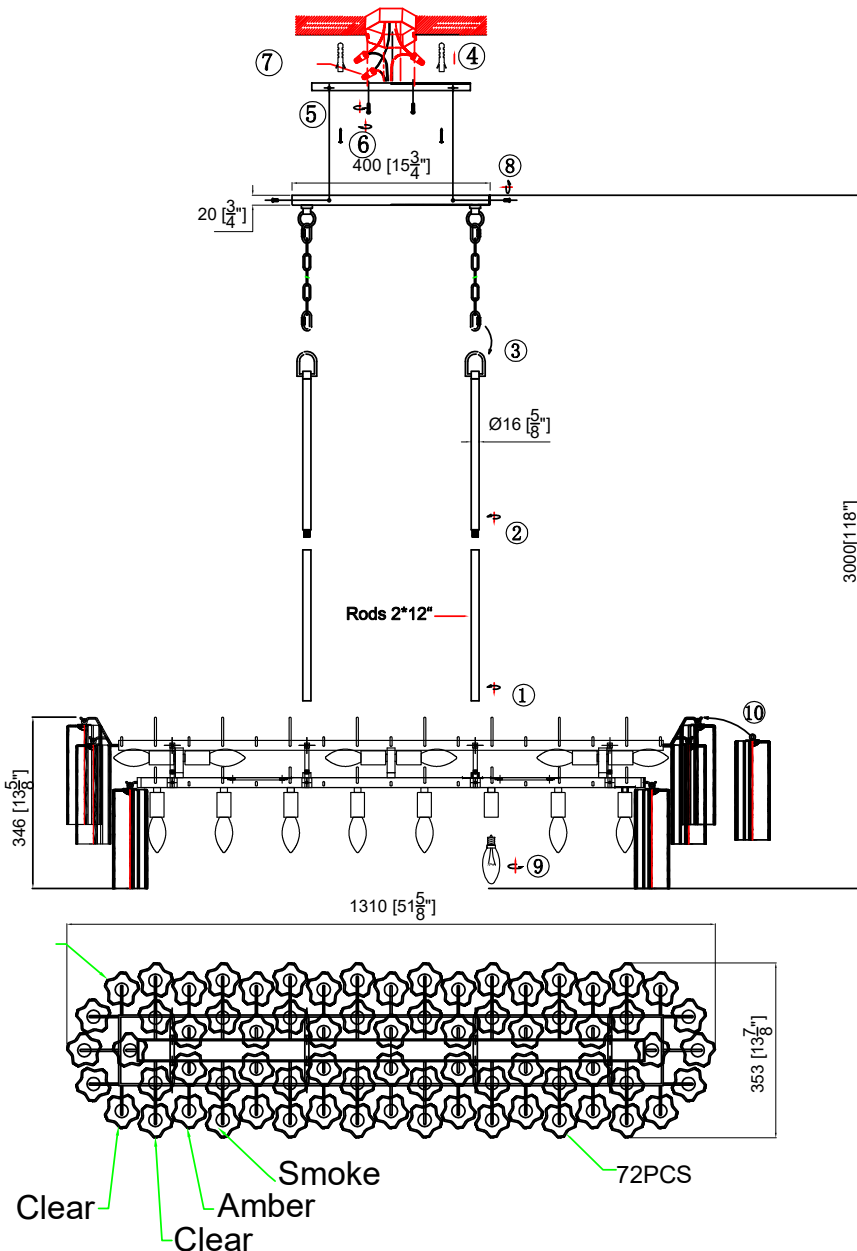
ASSEMBLY INSTRUCTION MODEL ADD-317-AG-AU



All electrical components must be installed by a licensed electrician in accordance with the National Electric Code and the appropriate local electrical codes.



You will need 14 Candelabra Base Bulb 40 Watts Recommended 60 Watts Max. USE LED BULBS FOR EXTENDED USE (This fixture is Dry rated)



How to Install

1. Decide the preferred hanging height and choose the correct length of rods and chain needed.
2. Feed the wires through the rods and screw the rods onto the top of the fixture. Attach the quick link on one end of the chain to the top of the rod. Repeat for the other rod using another chain.
3. Attach the mounting strap onto the outlet box.
4. Raise the fixture up to the ceiling and do the wire connections. Put the canopy up against the ceiling then completely tighten the screws on the side to secure the canopy.
5. Install the bulb into the socket.
6. Dress the glass as illustrated.

Glass Sets

1. 36 pcs Clear glass 2 3/4x7 3/4"
2. 18 pcs Amber glass 2 3/4x7 3/4"
3. 18 pcs Smoke glass 2 3/4x7 3/4"

Dress the glass from inner ring, clockwise, in order of:
 (1) Clear Glass , (1) Clear Glass,
 (1) Amber Glass and (1) Smoke Glass

WARNING: This product can expose you to Lead, which is known to the State of California to cause cancer and/or birth defects or reproductive harm. For more information go to www.P65Warnings.ca.gov

CRYSTORAMA

LIGHTING THE WAY FOR SIXTY YEARS



Crystorama.com

PART NUMBER MODEL **ADD-317-AG-AU**

Part Number

Part Numbers

- A. (1)-Canopy L14.5"*W5"*H1
(XBN317AGCAN14.5IN)
- B. (2)-Loop
- C. (2)-Chain D5mm*72"
(XBN317AGCHA5MM)
- D. (2)-Loop
- E. (4)-12"Rods
(XBN317AGROD12IN)
- F. (1)-Frame
- G. (36)-Clear glass,D2 3/4xH7 3/4"
(XBN300AGCLGLA7.75IN)
(18)-Amber glass,D2 3/4xH7 3/4"
(XBN300AGSMGLA7.75IN)
(18)-Smoke glass,D2 3/4xH7 3/4"
(XBN300AGSMGLA7.75IN)

