

# CRYSTORAMA

LIGHTING THE WAY FOR SIXTY YEARS

## ASSEMBLY INSTRUCTION MODEL #8012-PN

### WARNING:

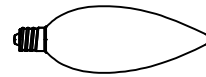


Electrical Danger



Turn Power Off

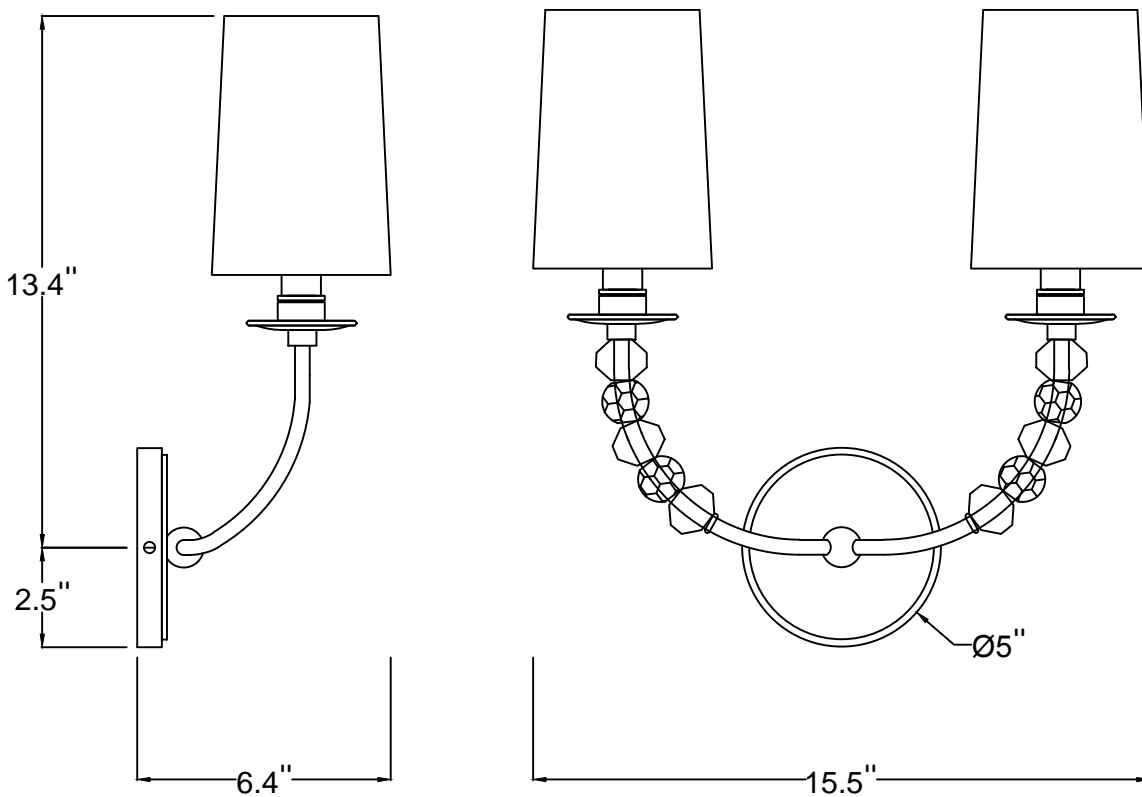
All electrical components must be installed by a licensed electrician in accordance with the National Electric Code and the appropriate local electrical codes.




You will need 2-Cand.BULB  
40 watts Max Bulb not included  
USE LED BULBS FOR EXTENDED USE

### How to Install

1. Attach the fixture to the outlet box.
2. Put the shade over the socket.
3. Install the recommended bulbs (not included).



 **WARNING:** This product can expose you to Lead, which is known to the State of California to cause cancer and/or birth defects or reproductive harm. For more information go to [www.P65Warnings.ca.gov](http://www.P65Warnings.ca.gov)

# CRYSTORAMA

LIGHTING THE WAY FOR SIXTY YEARS

PART NUMBER MODEL #8012-PN

## Part Number

### Part Numbers

A. Mounting Hardware

(1) Wire Nut

(1) Mounting Plate

(3) Outlet Box Screws

(3) Anchors

B. (1) Backplate;  $\varnothing 5'' \times 0.75'' \text{h}$ ;  
XMO8011PNBKP5IN

C. (2) Arm;  $\varnothing 0.37''$

D. (5) Crystal; 5 in each arm

E. (2) Socket

F. (2) Fabric Shade;  $\varnothing 3.9'' \times \varnothing 4.5'' \times 6.5'' \text{h}$ ;  
XMO8011PNSHA6.5IN

