

# CRYSTORAMA

95 Cantiague Rock Road, Westbury NY 11590  
 Ph: 516.931.9090 Fax: 516.931.1254  
[info@crystorama.com](mailto:info@crystorama.com) [www.crystorama.com](http://www.crystorama.com)

**MODEL#: 6108-SA**  
**ASSEMBLY AND DRESSING INSTRUCTIONS**

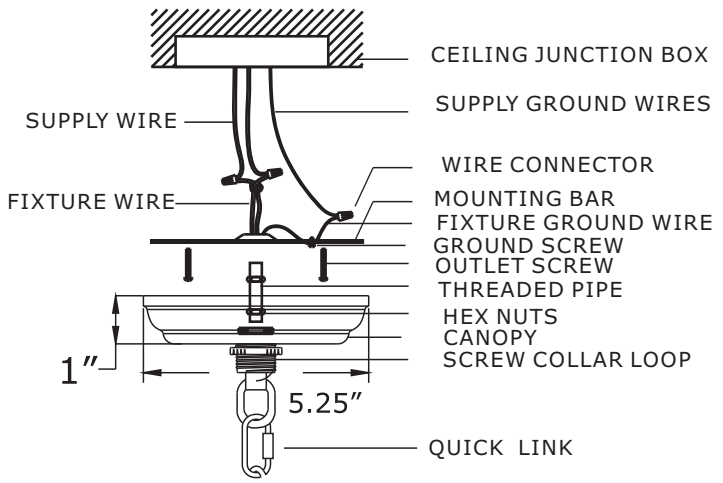
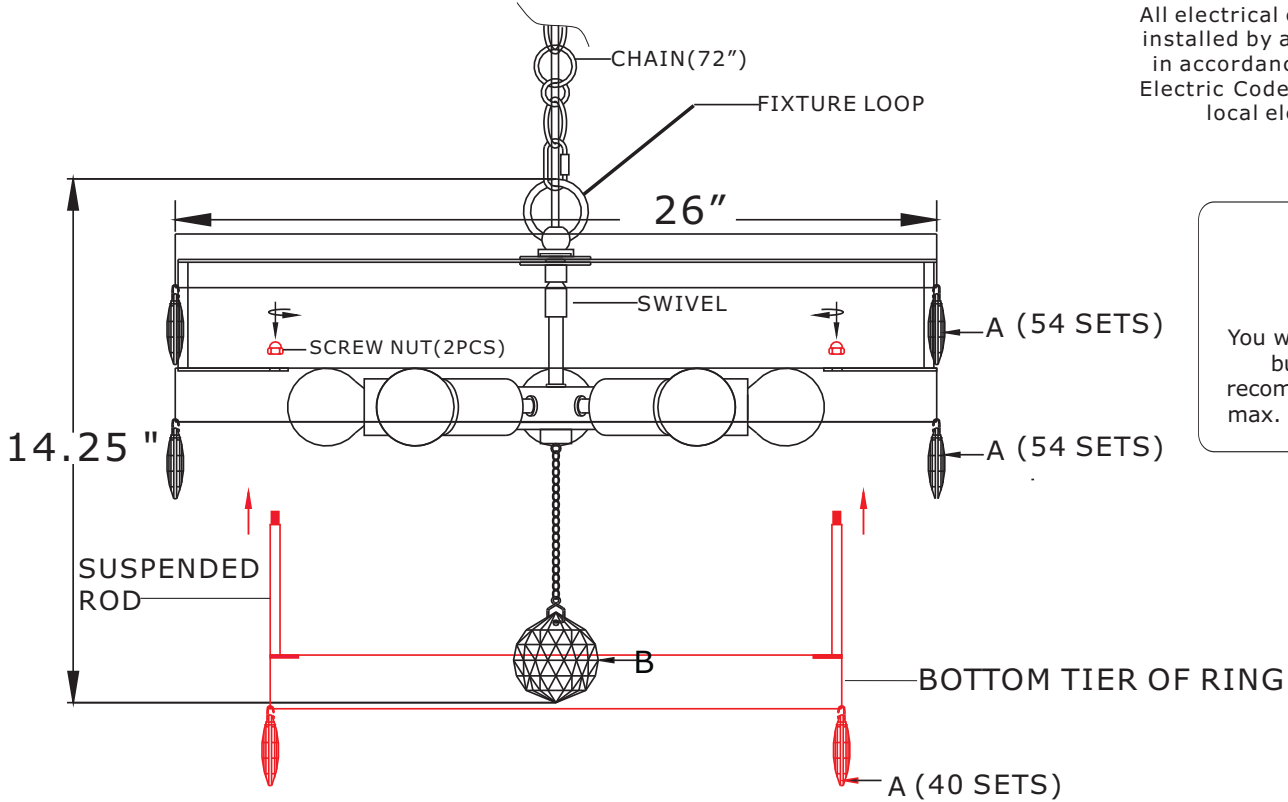
**WARNING**

Electrical Danger Turn Power off

All electrical components must be installed by a licensed electrician in accordance with the National Electric Code and the appropriate local electrical codes



You will need 6 Medium bulbs. 40 Watts recommended 60 Watts max. Bulb not included.



- A = (CUT CRYSTAL 2" )x 148 SETS (+) (3 SPARES)
- B = (6" CHAIN + CUT CRYSTAL BALL 2" ) x 1 SET