

# CRYST RAMA



1958

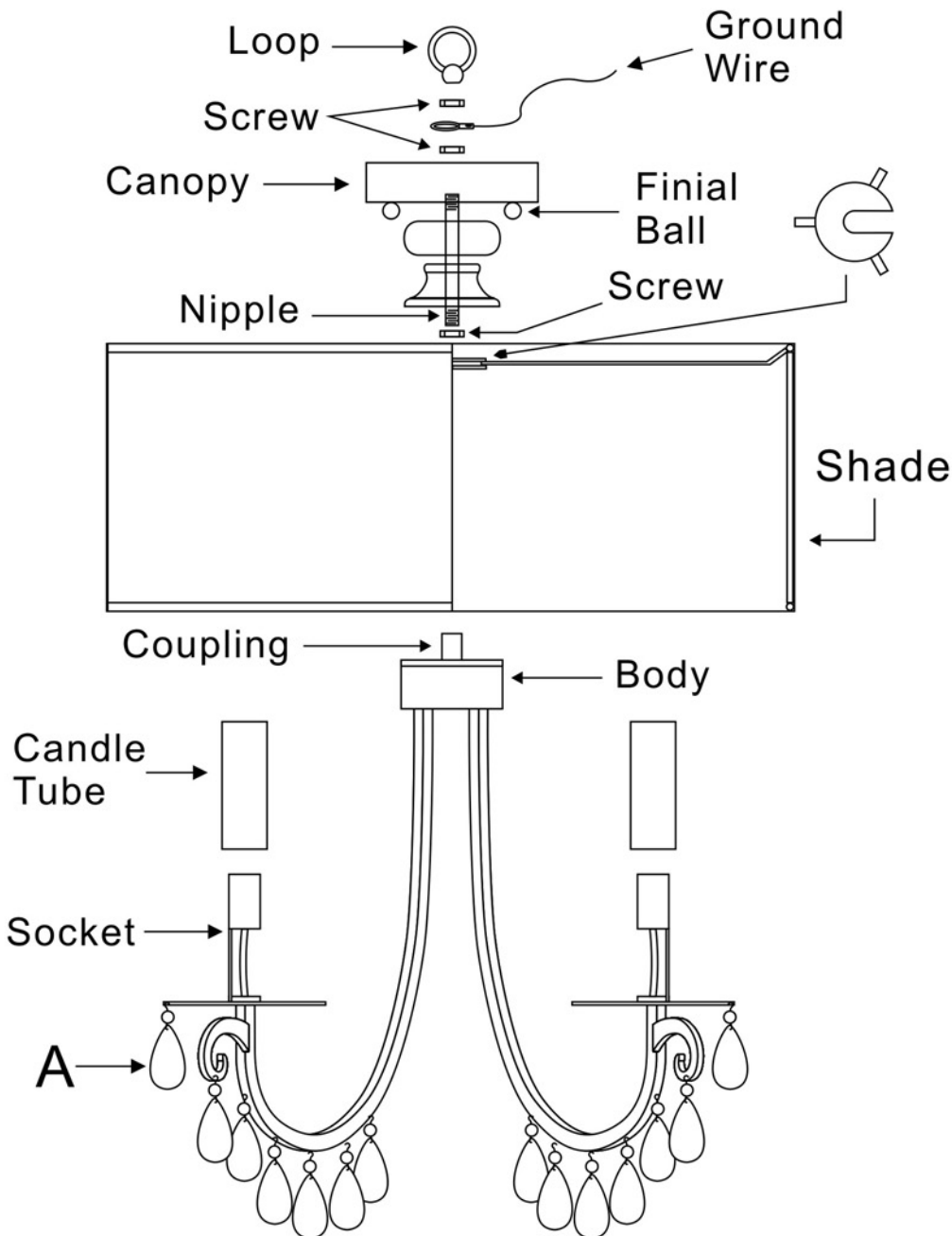
95 Cantiague Rock Road, Westbury NY 11590


ph:516.931.9090 fax: 516. 931.1254

info@crystorama.com www.crystorama.com

**MODEL#:5623**

## ASSEMBLY AND DRESSING INSTRUCTIONS



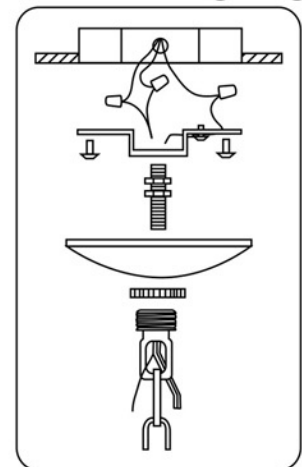
A =  (10mm+50mm) x 27sets



All electrical components must be installed by a licensed electrician in accordance with the National Electric Code and the appropriate local electrical codes.



### For Hanging



### For Ceiling

