

# CRYST RAMA



1958

95 Cantiague Rock Road, Westbury NY 11590  
 ph: 516.931.9090 fax: 516.931.1254  
 info@crystorama.com www.crystorama.com

## MODEL#: 4452 ASSEMBLY AND DRESSING INSTRUCTIONS

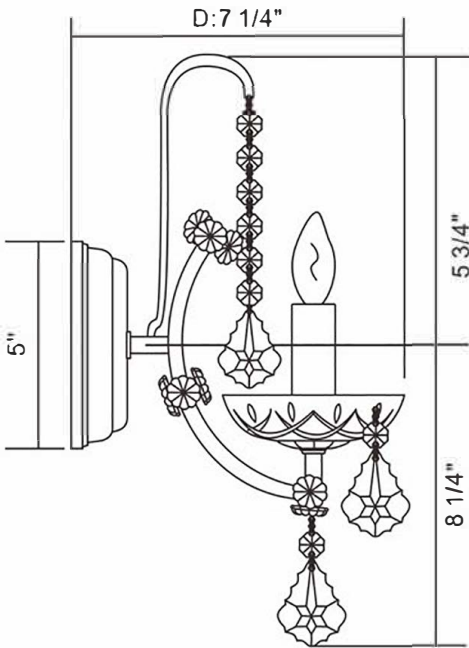
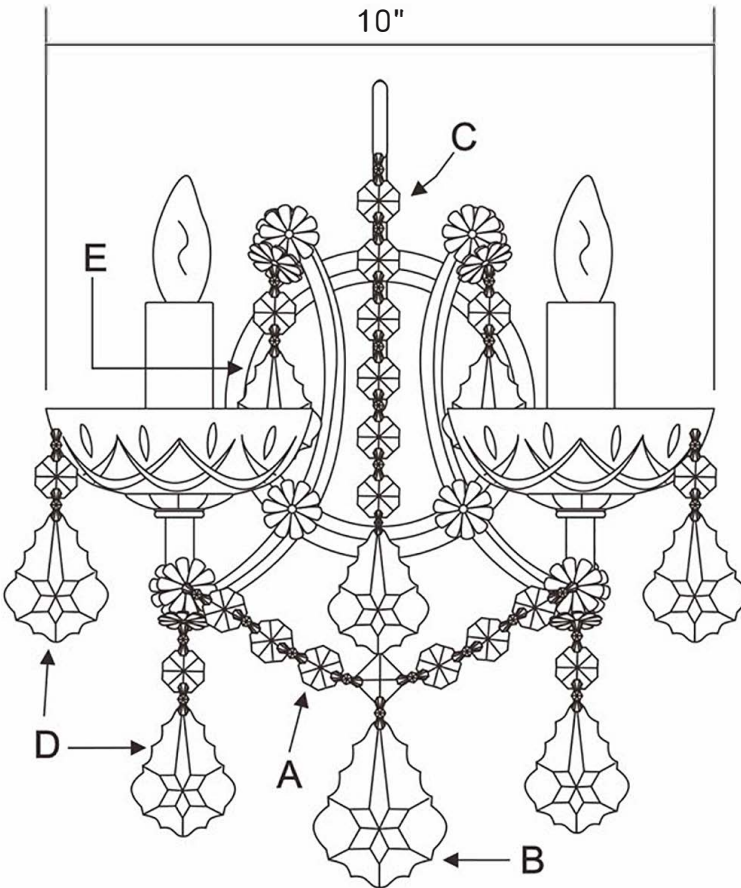
**WARNING:**

Electrical Danger Turn Power Off

All electrical components must be installed by a licensed electrician in accordance with the National Electric Code and the appropriate local electrical codes.



1 Bobeche with (4) "D" Trim.



You will need 2 - Cand. Bulb  
 40 Watts Recommended  
 60 Watts Max  
 Bulb not included.

- A = (6 Jewels Strand + 1 Square 3 Holes) \* 1pc
- B = (AS20/64-2.5" --No Jewels) \* 1pc
- C = (6 Jewels + 1x AS20/50-2" ) \* 1pc
- D = (AS20/50-2" ) \* 10pcs
- E = (AS20/38-1.5" ) \* 2pcs

