

CRYSTORAMA

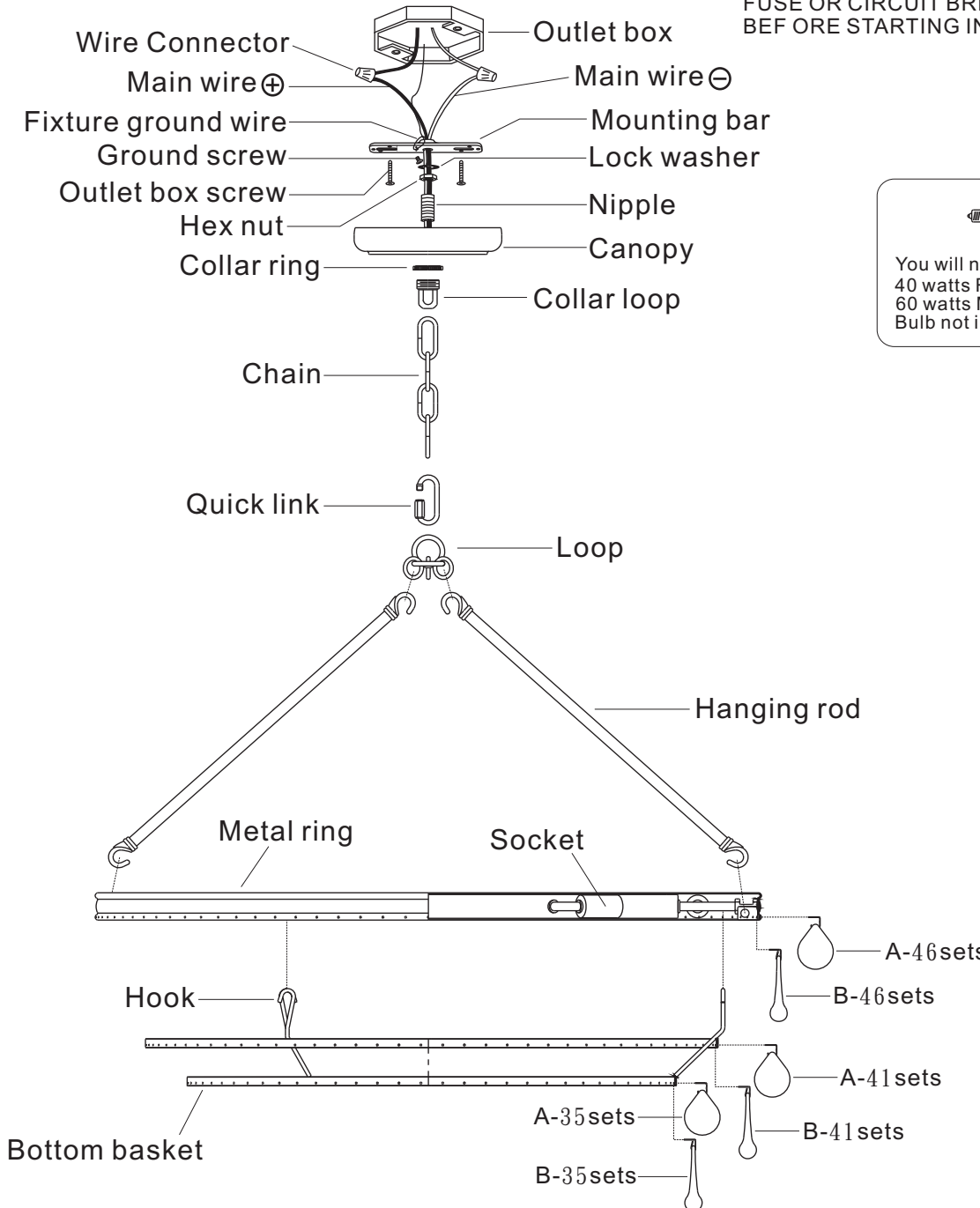
1958


95 Cantiague Rock Road, Westbury NY 11590
 ph:516.931.9090 fax:516.931.1254
 info@crystorama.com www.crystorama.com

MODEL#:275-VZ ASSEMBLY AND DRESSING INSTRUCTIONS



IMPORTANT

TURN OFF THE POWER AT THE MAIN FUSE OR CIRCUIT BREAKER BOX BEFORE STARTING INSTALLATION




 You will need 6-Cand.BULB
 40 watts Recommended
 60 watts Max
 Bulb not included

(HANG A AND B ALTERNATELY)

- A=  40mmx122sets (Spare parts: 4sets)
- B=  76mmx122sets (Spare parts: 5sets)