

CRYSTORAMA

LIGHTING THE WAY FOR SIXTY YEARS



Crystorama.com

ASSEMBLY INSTRUCTION MODEL#2254-VG

WARNING:



Electrical Danger

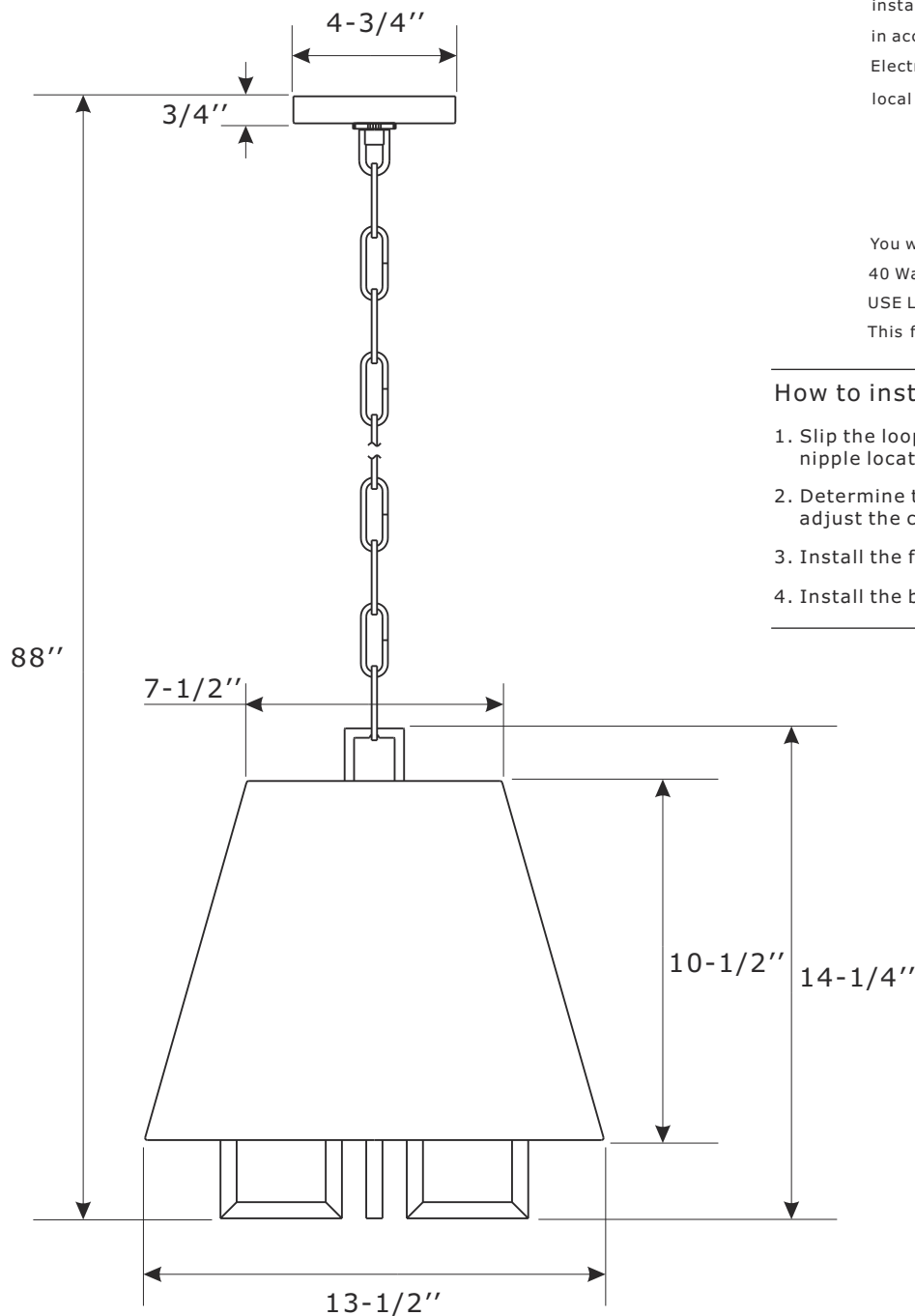


Turn Power off

All electrical components must be installed by a licensed electrician in accordance with the National Electric Code and the appropriate local electrical codes.



You will need 4- Candelabra Base Bulb
40 Watts Recommended 60 Watts Max.
USE LED BULBS FOR EXTENDED USE
This fixture is Dry rated



How to install

1. Slip the loop along wire and thread onto the nipple located on the top of the light cluster.
2. Determine the preferred hanging height and adjust the chain to the length required.
3. Install the fixture onto the outlet box.
4. Install the bulbs(not included) into the socket.

WARNING: This product can expose you to Lead which is known to the state of California to cause cancer and/or birth defects or reproductive harm. For more information go to www.P65Warnings.ca.gov



ASSEMBLY INSTRUCTION MODEL#2254-VG

Part Number

Part Numbers

- A. (1)-Mounting hardware
- B. (1)-Canopy W4-3/4"xH3/4" #XRF2254VGCAN4.75IN
- C. (1)-Collar ring
- D. (1)-Collar loop
- E. (1)-Chain -72", 4mm thick #XRF2254VGCHA4MM
- F. (1)-Loop
- G. (1)-Fabric shade W13-1/2"xH10-1/2" #XRF2254SHA13.5IN
- H. (4)-Candle sleeve W7/8"xL2" #XRF2254VGCDL2IN

