



California Faucets®

CHRISTOPHERGRUBB Collection

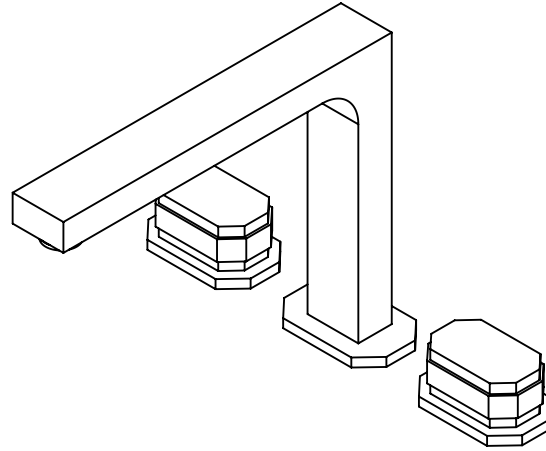
# Doheny™

## Roman Tub Set

### C208B

### Features

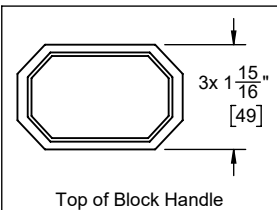
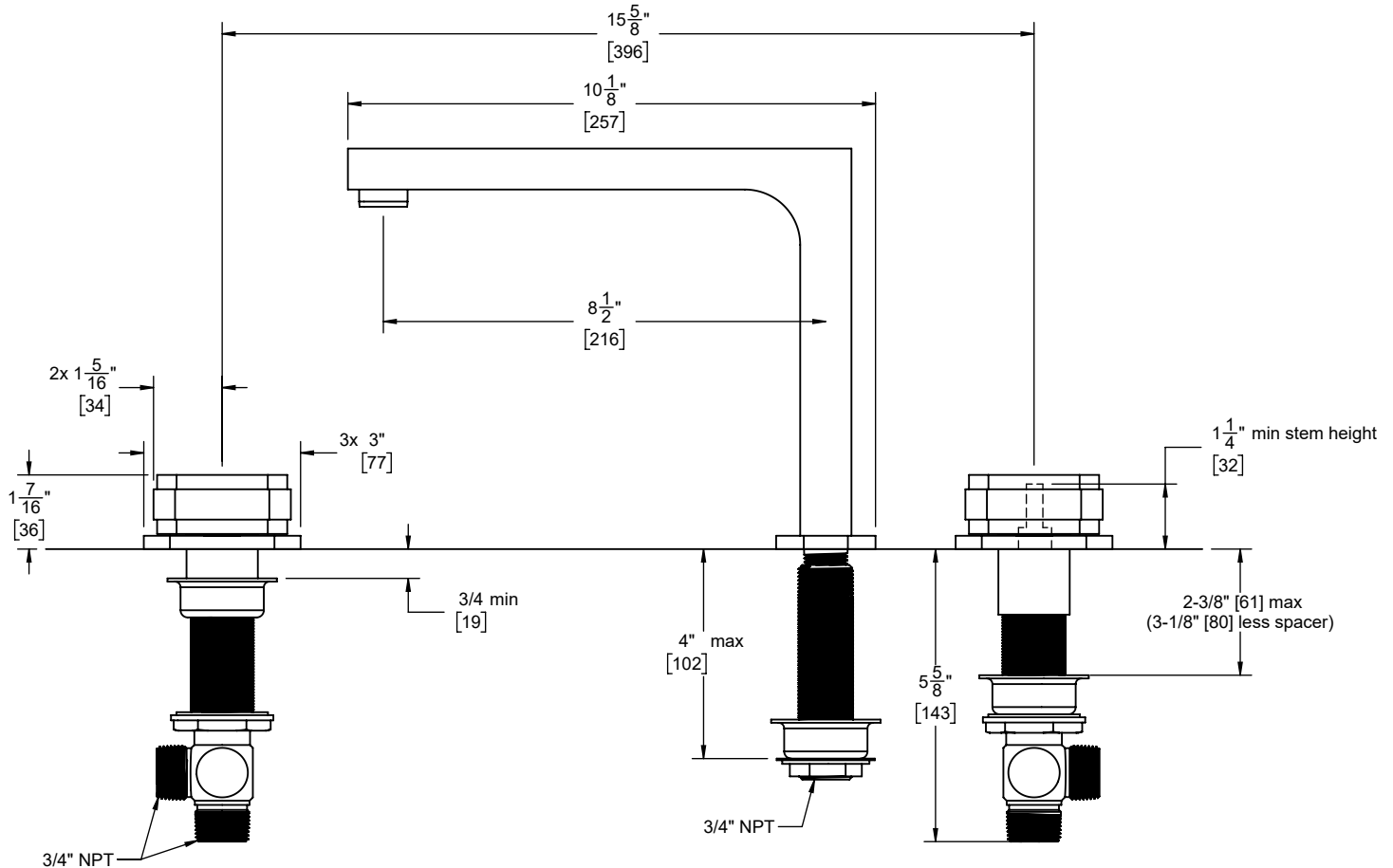
- Available in 28 finishes including 13 PVD finishes
- All brass construction
- Max flow rate: 16 gpm (60.6 L/min)
- Includes rough in valves
- 1/4 turn ceramic disc cartridge(s)



### Codes/Standards Applicable

Product meets or exceeds the following:

- ASME A112.18.1/CSA B125.1
- Commonwealth of MA
- Local codes may require installation of an upstream tempering valve



Specifications subject to change without notice

Through-Hole Specifications			
	Min	Recommended	Max
Spout:	Ø 1-1/16" [27]	Ø 1-3/8" [35]	Ø 1-1/2" [38]
Valve:	Ø 1-3/8" [35]	Ø 1-1/2" [38]	Ø 1-1/2" [38]

Dimensions are inches, rounded to 1/16"  
[Dimensions in brackets are mm, rounded to 1mm]