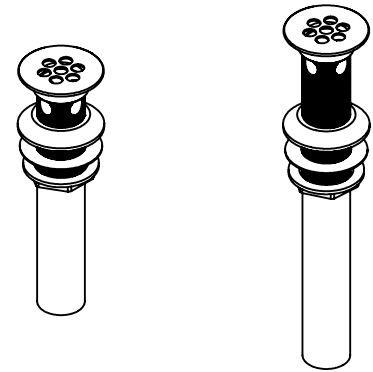




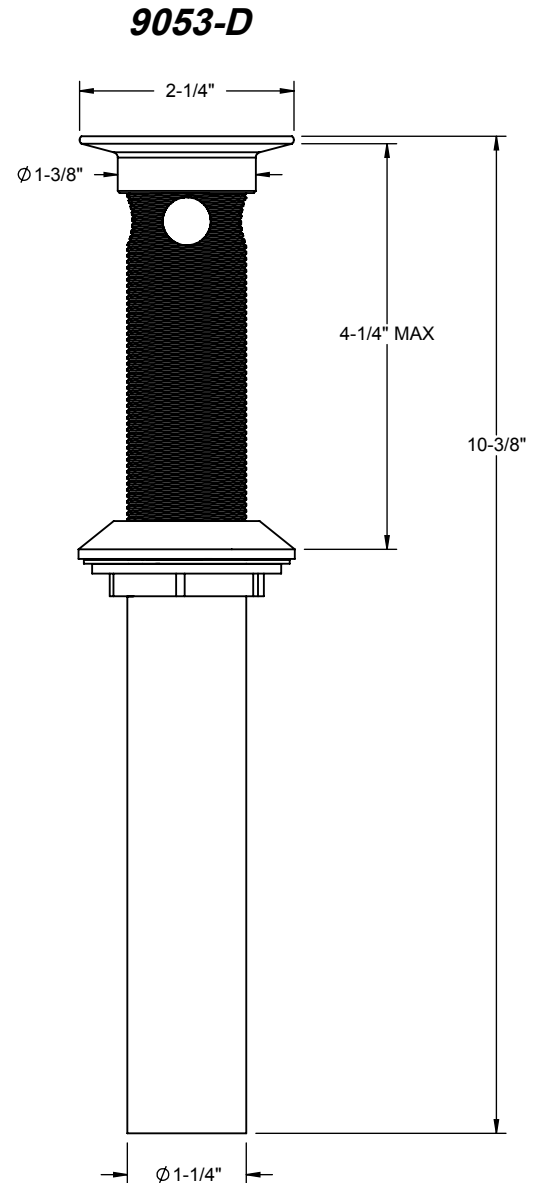
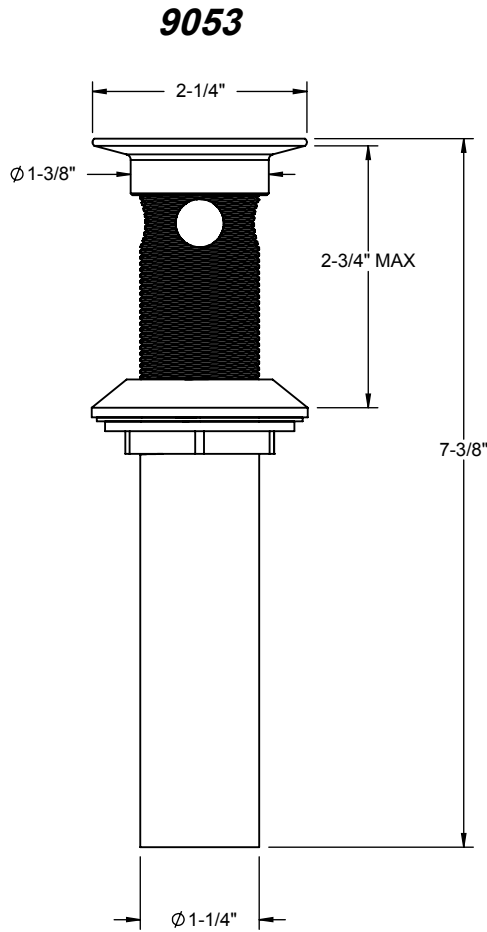
Features

- Over 30 finishes including 14 PVD finishes
- Brass construction
- Strainer has large openings for quicker draining
- For sinks with over-flow
- Fits 1-1/2" sink drain hole



Codes/Standards Applicable

- Specified model meets or exceeds the following:
- ASME A112.18.2-2005/CSA B125.2-05



Dimensions Shown to Nearest 1/16"