



California Faucets®

**Descanso®**

Industrial Wall Mount Tub Filler with Handshower

**Features**

- Over 28 finishes including 13 PVD finishes
- All brass construction
- Tub filler: Maximum flow rate: 15 gpm (56.8 L/min) at 60 psi
- Handshower: Flow rate 2.0 gpm (7.6 L/min) or 1.8 gpm (6.8 L/min)
- 1/4 turn ceramic disc cartridges

**1006-XX.20**  
**1006-XX.18**

**Codes/Standards Applicable**

Product meets or exceeds the following:

- ASME A112.18.1/CSA B125.1
- CEC (1.8 gpm) / DOE (2.0 & 1.8 gpm)
- Commonwealth of MA
- EPA WaterSense handshower (2.0 gpm)
- ADA compliant (with lever handles)
- Local codes may require installation of an upstream tempering valve

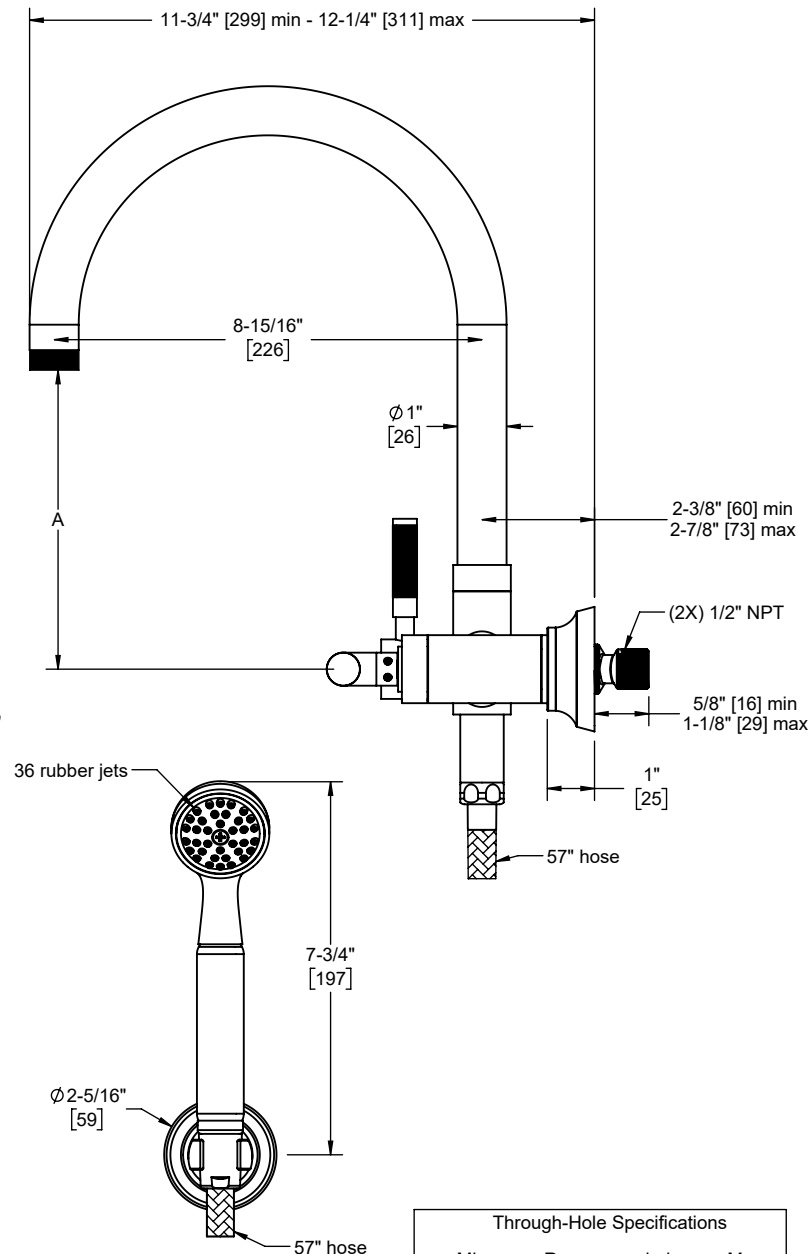
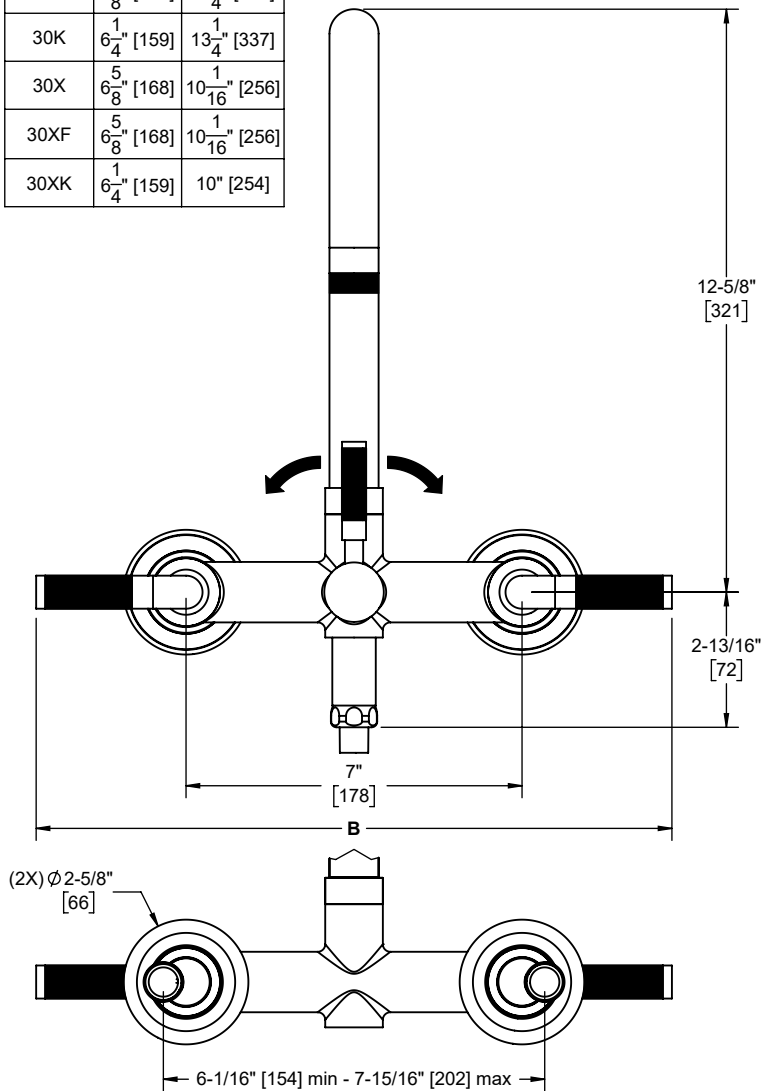


1006-30K.FR shown



XX = DENOTES HANDLE SERIES

HANDLE	A	B
30	5 5/8" [168]	13" [330]
30F	5 5/8" [168]	13 1/4" [337]
30K	6 1/4" [159]	13 1/4" [337]
30X	5 5/8" [168]	10 1/16" [256]
30XF	5 5/8" [168]	10 1/16" [256]
30XK	6 1/4" [159]	10" [254]



- (1X) Plastic #8-10 Finned Anchor
- (1X) #10 X 2 Stainless Steel Screw

Specifications subject to change without notice

Through-Hole Specifications		
Min	Recommended	Max
1-13/16" [46]	Ø 1-7/8" [48]	Ø 2" [51]

Dimensions are inches, rounded to 1/16"  
[Dimensions in brackets are mm, rounded to 1mm]