



California Faucets®

9628SS

for use with California Faucets Hot Water Dispensers **ONLY**

Kitchen Hot Water Dispenser Tank Installation Instructions

CALIFORNIA FAUCETS RECOMMENDS THAT ALL PLUMBING/ELECTRICAL PRODUCTS BE INSTALLED BY A LICENSED PROFESSIONAL

IMPORTANT: Read all instructions prior to installation and provide copy of instructions to consumer.

Operating Specifications:

Recommended Electrical Supply Outlet Rating: 120V AC @ 15A Min.†

Recommended Supply Pressure: 20 to 70 psi††

† Outlet shall be a grounded three (3) prong plug type..

†† If water pressure exceeds 70 psi, install a Pressure-Reducing Valve (RPV).

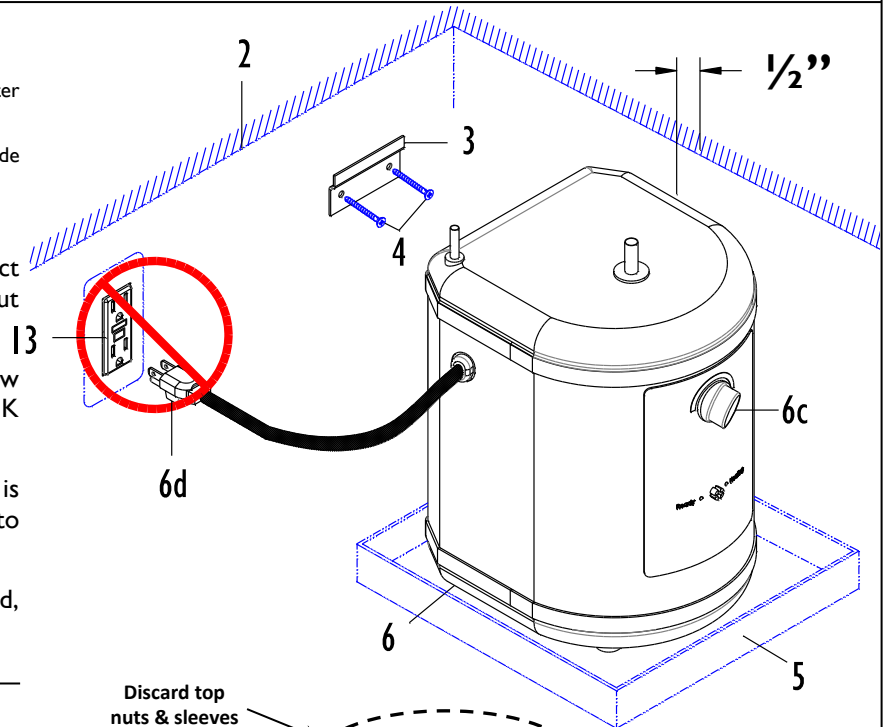
1 INSTALLATION OF TANK

Important: Make sure temperature DIAL (6c) is turned all the way counter clock-wise to the COLD position before plugging tank into OUTLET (13)

Important: There **MUST** be at least a 1/2" space between TANK (6) and side WALL(S) (2) for proper air circulation around TANK (6)

Warning: **DO NOT** store flammable liquids near TANK (6)

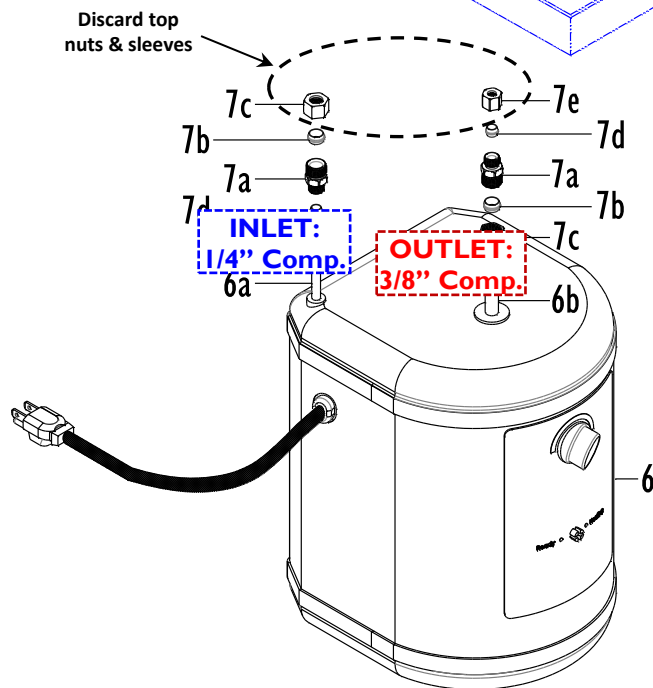
- The location of the TANK (6) should allow for direct installation of the hot water dispenser hoses without making loops or kink in the faucet hoses
- The surrounding WALL(S) (2) must be at least a 1/2" to allow proper air circulation around TANK (6)
- To prevent TANK (6) from accidental falling over it is recommended to install mounting BRACKET (3) to WALL (2) and secure with SCREWS (4) (not supplied)
- The use of a shallow PAN (5) (not supplied) is suggested, but not necessary



2 CONNECTIONS TO TANK

As taken from California Faucets CF-9625-KXX Kitchen Hot Water Dispenser Installation Instruction

- Remove and discard from one of the COUPLING (7) one 1/4" NUT (7e) & SLEEVE (7d) from the other COUPLING (7) remove & discard one 3/8" NUT (7c) & SLEEVE (7b)
- Place 1/4" compression NUT (7e) & SLEEVE (7d) onto hot tank INLET (6a) slide coupling BODY (7a) on and securely tighten 1/4" compression NUT (7e) to coupling BODY (7a)
- Place 3/8" compression NUT (7c) & SLEEVE (7b) onto hot tank OUTLET (6b) slide coupling BODY (7a) on and securely tighten 3/8" compression NUT (7c) to coupling BODY (7a)

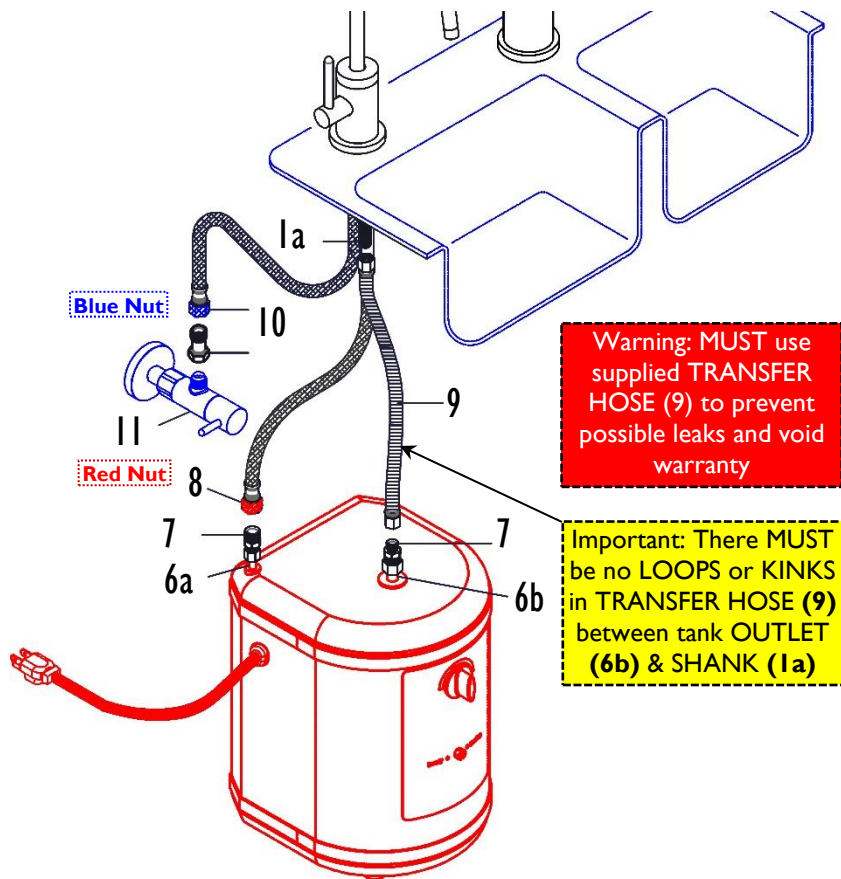


3 FAUCET CONNECTIONS

As taken from California Faucets CF-9625-KXX Kitchen Hot Water Dispenser Installation Instruction

- Tighten hose from dispenser with RED NUT (8) to COUPLING (7) at tank INLET (6a)
- Tighten one end of TRANSFER HOSE (9) to dispenser SHANK (1a) and other end to COUPLING (7) at tank OUTLET (6b)
- Tighten hose from dispenser with BLUE NUT (10) to water supply VALVE (11) (not included)
- Turn on water supply VALVE (11) and operate dispenser by rotating HANDLE (12); check for leaks and adjust as necessary

Important: Since Tank (6) is an open vent system (continuous opening between tank and dispenser spout) to relieve pressure that may occur during heating cycle, water may drip from during this cycle **THIS IS NORMAL**



4 SETTING TEMP ON TANK

- Plug CORD (6d) into OUTLET (13)
- For initial temperature setting rotate DIAL (6c) clockwise to 4 o'clock position (approximately 185°F) and wait 15 minutes allowing water to heat up in TANK (6)
- After initial set up, adjust DIAL (6c) to desired temperature setting

Warning: DO NOT rotate DIAL (6c) to MAXIMUM hot or water in TANK (6) will boil

Warning: NEVER allow TANK (6) to "run dry" of water

Warning: If water dispenser is not used for an extended amount of time (2-3 weeks) it is best to lower temperature DIAL (6c) to MINIMUM to prevent possibility of water "boil off"

Warning: In extreme cold climates, it is recommended to unplug tank CORD (6d), turn off water supply VALVE (11) to faucet and drain TANK (6) as shown below by removing drain SCREW (6e) at bottom of TANK (6)

