

Installation instructions

P-TRAP SUPPLY KIT

Model No. 301-2



These instructions are a guideline for a basic installation
Recommended Installation by a Professional Plumbing Contractor

Note: To find proper fit and alignment, check the fit between tailpiece and Waste Connection. If necessary, adjust the Sink drain Tailpiece length to align with Waste Connection height requirements.

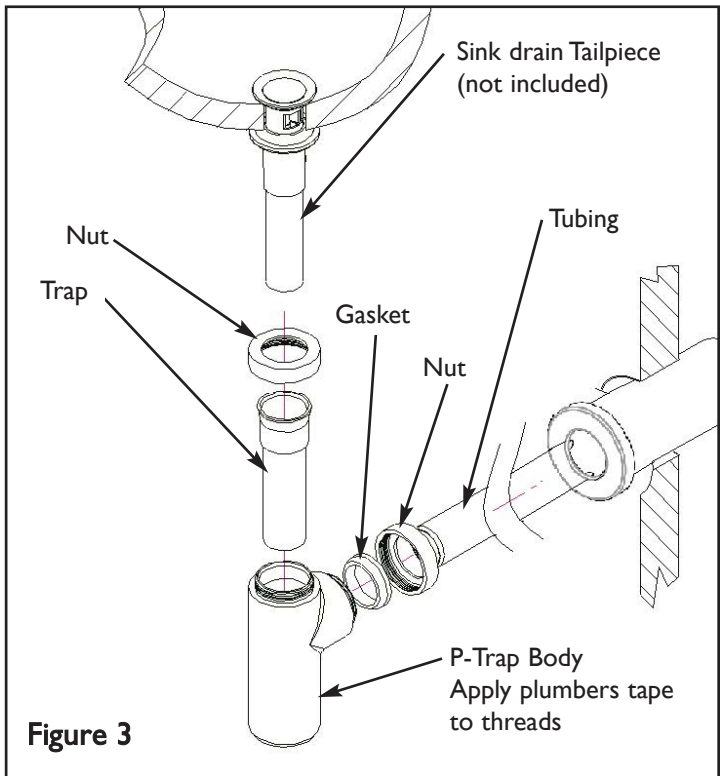
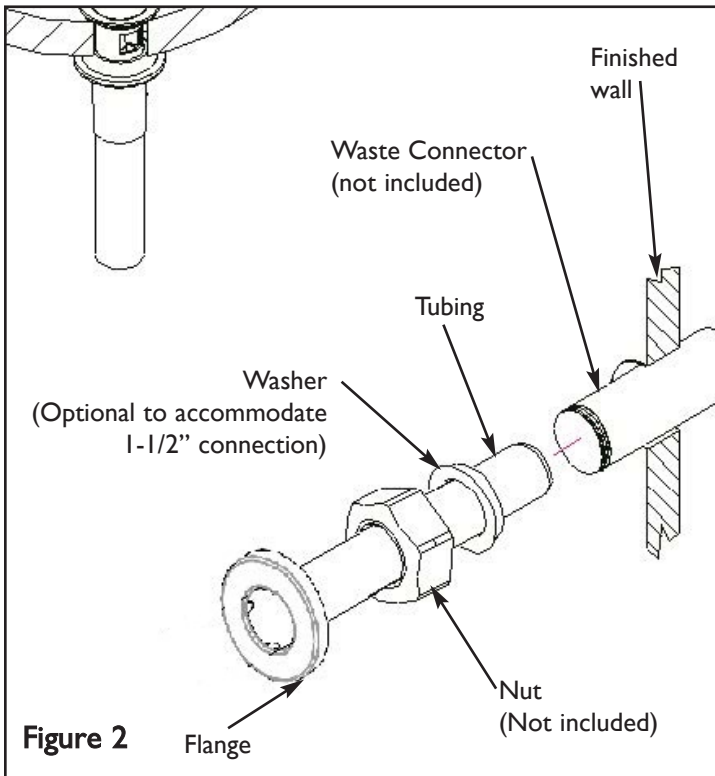
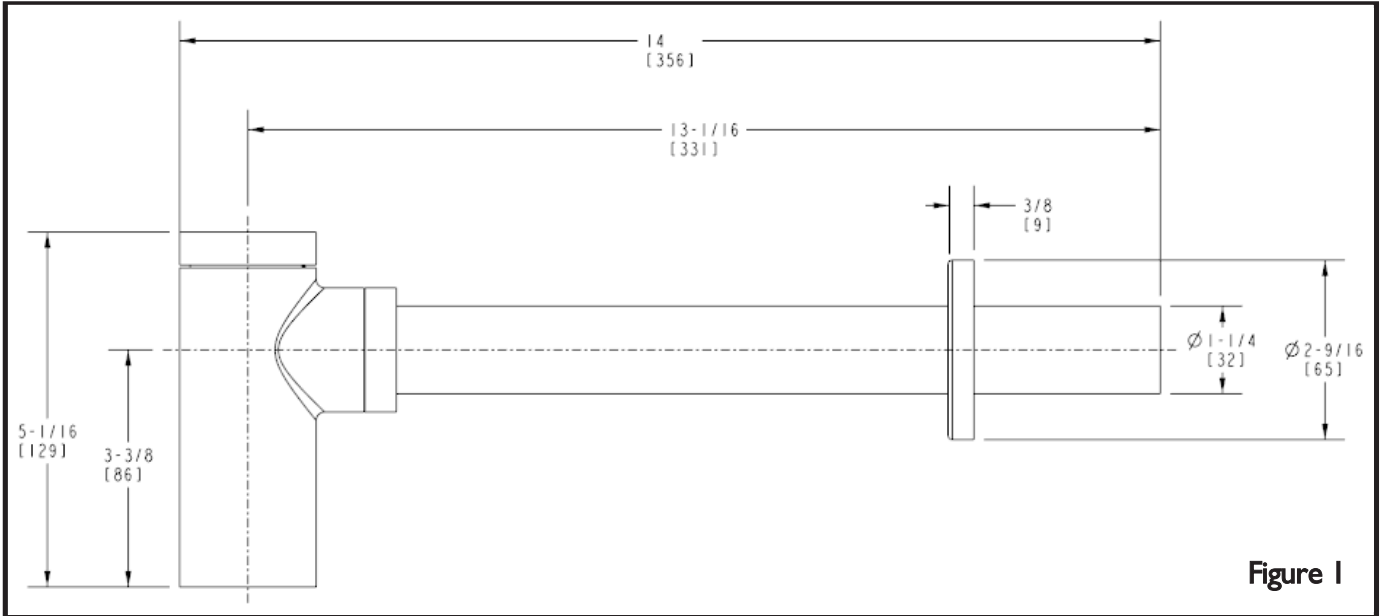


Figure 1