

CELESTIA 6233

62" x 33" x 24" (FREESTANDING)

Celestia™ is feminine, ethereal and strong. As a beautiful work of art in a museum, Celestia is the center piece of any bathroom, a jewel that captures attention and pleases the eye.



PRODUCT NO.


MODEL	TUB
Freestanding	BCE50F00F

TUB
Soaker



\$8,000

FEATURES

Installation type		Freestanding	
No. of bathers	1	Imp. gallons	47
US gallons	57	Armrests	2
INTEGRATED WASTE & OVERFLOW BOVERINI-XX			
Matte White** 32, Chrome 07, Brushed Nickel 09, Polished Nickel 10		Installed & Included	
STANDARD COLOR			
	White 01	Included	
FINISH			
Satin Finish		Included	

OPTIONS (UPCHARGE APPLICABLE)

INTEGRATED WASTE & OVERFLOW BOVERINI-XX

Matte Black 19, Satin Brass 18 \$120

ISLAND TUB DRAIN™*

Island Tub Drain™ BSLDD \$260

Cast Iron Island Tub Drain™ BSLDDCI \$310

IF REQUIRED BY CONSTRUCTION CODE OR INSTALLED WITH ITD*

Brass waste kit BDRCBF \$60

Matte White** 32, Chrome 07, Brushed Nickel 09, Polished Nickel 10, Matte Black 19, Satin Brass 18



Don't forget to indicate the finish for the Integrated waste & overflow and, if needed, for the Brass waste kit.

* An Island Tub Drain™ and the Brass waste kit are required when there is **no access under the bath**.

** On a FineStone bath, the white Integrated waste & overflow has a Matte Finish.



Made with FineStone®

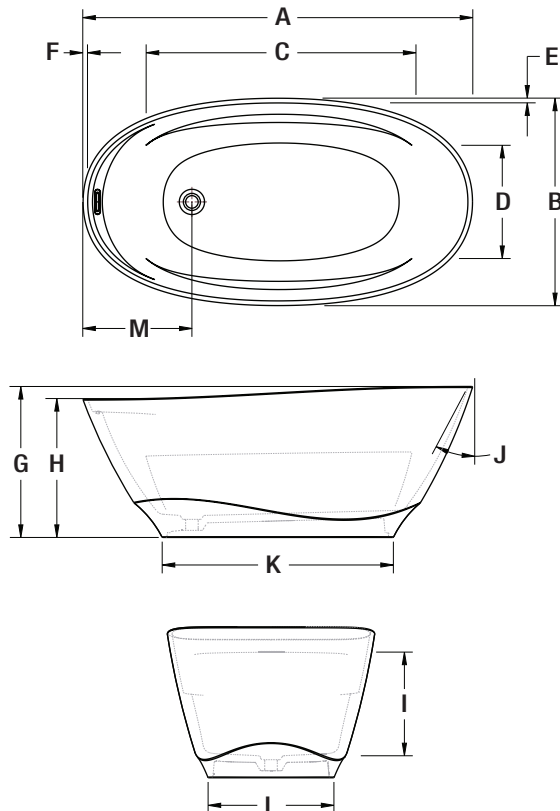
FineStone® is a high quality solid surface material composed of refined minerals and pure acrylic. Designed with care, this material is non porous, hygienic, and thermal insulant. Its satin finish is easy to clean and will maintain its properties through time.



CELESTIA 6233 (FREESTANDING)



INSTALLATION



LETTER	DESCRIPTION	MEASURE
A	Total length	62"
B	Total width	33"
C	Bathing well length	42 7/8"
D	Bathing well width	22 3/16"
E	Deck width	3/4"
F	Deck width	3/4"
G	Total maximal height	24"
H	Total minimal height	22"
I	Maximum water level	16 1/2"
J	Slope of backrest	28°
K	Base length	36 3/4"
L	Base width	20"
M	Outer edge to center of drain	17 5/16"

TECHNICAL SPECIFICATIONS

Other Faucet must be freestanding or wall-mounted.

Our products must be installed by certified professionals only and according to our Installation Instructions as well as federal, provincial/state and local building codes and regulations (www.bainultra.com/dealers/dealer-documentation-and-catalog).

Cutting template # 90000084

Approx. shipping weight 300 lb

WARRANTY

Bath* 20 years

* Some restrictions apply | www.bainultra.com/warranty

The specifications shown indicate the outer edge dimension and the inside bathing capacity. The manufacturer accepts a 1/4" [0.64 cm] variance. There are variations on each product and specifications are subject to change as we improve upon our product as required. The dimensions needed for site preparation and structure building will differ. BainUltra® assumes no responsibility for preparatory work done prior to the product being on site.