

ELLIPSE 7240

72" x 40" x 21"

Named after the meridians of our body—the paths along which our energy flows—the collection also brings to mind the meridian (or mid-point) of life with an invitation to relax and listen to your body and mind.



Rolled deck

PRODUCT NO.

| MODEL | TMU | TUB |
|-------------|--------------|--------------|
| Rolled deck | BMEUOUM0T-XX | BMEUOUM0N-XX |
| Flat deck | BMEUOUN0T-XX | BMEUOUN0N-XX |

| THERMOMASSEUR (TMU) Hydro-thermo massage • Air jet system | \$ |
|--|----------|
| Jets | 40 |
| 1 heated backrest | Included |
| MiaPlus® Control | Included |
| Geysair® | Included |
| AromaCloud®** BAROMAC | \$ |
| Illuzio Chromatherapy BCHRO6 | \$ |
| 2 nd heated backrest (WTS-1 zone) BSHB | \$ |

| TUB Soaker | \$ |
|---------------------------------------|-----------------------|
| AromaCloud®** BAROMAC | \$ |
| Illuzio Chromatherapy BCHRO6 | \$ |
| WarmTouchShell® BWTS | \$ |
| DOT control | Included with therapy |
| 2 nd WarmTouchShell® BWTS2 | \$ |

FEATURES

| | | | |
|-------------------|------------------------|--------------|----|
| Installation type | Drop-in & Undermount** | | |
| No. of bathers | | Imp. gallons | 49 |
| US gallons | 59 | | |

STANDARD COLOR

| | | |
|----------|------------|----------|
| | | Included |
| White 01 | Biscuit 02 | |

OPTIONS (UPCHARGE APPLICABLE)

COLOR

| | |
|---------|----|
| | \$ |
| Gray 05 | |

WASTE & OVERFLOW 16" x 35" BOVER16-XX

| | |
|---|----|
| Chrome 07 | \$ |
| White 01, Biscuit 02 | \$ |
| Brushed Nickel 09, Polished Nickel 10, Oil-rubbed Bronze 11 | \$ |

CONTROL (TMU only)

| | |
|---------------------|----|
| MiaMulti® BMIAM2-XX | \$ |
|---------------------|----|

IF REQUIRED BY CONSTRUCTION CODE OR INSTALLED WITH ITD

| | |
|--|----|
| 16" x 35" Cable driven Brass waste & overflow kit BOVERBR-XX | \$ |
|--|----|



Don't forget to indicate flat or rolled deck.

* The AromaCloud® is built into the deck.

** The AromaCloud® is not available with Undermount installation.

TOTAL PRICE \$



ELLIPSE 7240



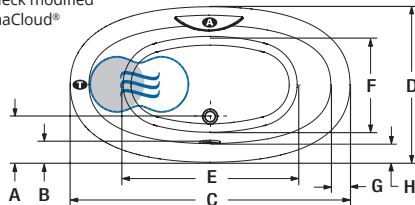
Flat deck



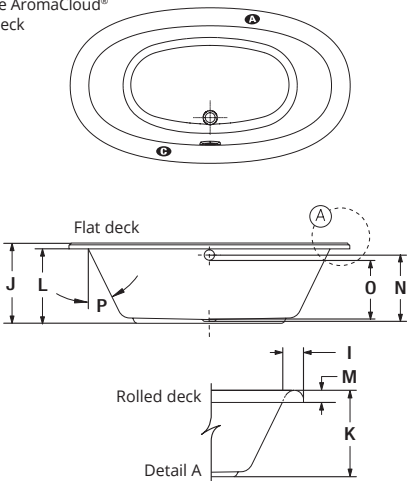
Rolled deck

INSTALLATION

A For rolled deck: deck modified to host the AromaCloud®



A With flat deck, the AromaCloud® is built into the deck



| LETTER | DESCRIPTION | MEASURE |
|--------|--|---------|
| A | Outside edge to center waste | 11 3/4" |
| B | Outside edge to overflow | 4 7/8" |
| C | Total length | 72" |
| D | Total width | 40" |
| E | Bathing well length | 46 1/8" |
| F | Bathing well width | 24 3/4" |
| G | Deck width at backrest end | 4 3/4" |
| H | Deck width | 4 5/8" |
| I | Rolled deck width | 5 3/8" |
| J | Height from bottom of tub to top deck | 21" |
| K | Height from bottom of tub to top deck | 22" |
| L | Height from bottom of tub to bottom of lip | 19 1/2" |
| M | Height from bottom of lip to top deck | 2 1/2" |
| N | Height from waste to center of overflow | 16 5/8" |
| O | Maximum water level | 14 7/8" |
| P | Slope of backrest | 27° |

- A** AromaCloud® position
- C** Control position when factory-installed (Mia® or DOT)
- T** Turbine position (TMU)
- Indicates heated backrest (TMU)
- ☄ Indicates WarmTouchShell® position (TUB)

TECHNICAL SPECIFICATIONS

| | |
|----------------------------------|--|
| Hot water supply required | Should be 70% of water capacity of TUB or greater. |
| Turbine | Access to the pump must be at least 18" x 22". Standard connection is 20 A, 120 V, 60 hz , dedicated line with a Ground-Fault Circuit Interrupter (GFCI). For any additional option, a second line is needed 15 A, 120 V, 60 hz , dedicated line with a GFCI. Air vent necessary: 2" x 4" minimum. |
| Others | - There is a height difference for the rolled deck (see drawing Detail A). - Available with flat deck or rolled deck. |

Our products must be installed by certified professionals only and according to our Owner's Manual as well as federal, provincial/state and local building codes and regulations (www.bainultra.com/documentation/documentation).

| | |
|--------------------------------|------------|
| Cutting template | # 90000001 |
| Approx. shipping weight | 128 lbs |
| Turbine power | 550 W |
| Air heater | 600 W |
| WARRANTY | |
| Controls-LED-Geysair* | 5 years |
| Bath & turbine* | 20 years |

* Some restrictions apply | www.bainultra.com/warranty



The specifications shown indicate the outer edge dimension and the inside bathing capacity dimension measured at air jets' height. The manufacturer accepts a 1/4" [0.64 cm] variance. There are variations on each product and specifications are subject to change as we improve upon our product as required. The dimensions needed for site preparation and structure building will differ. BainUltra® assumes no responsibility for preparatory work done prior to the product being on site.