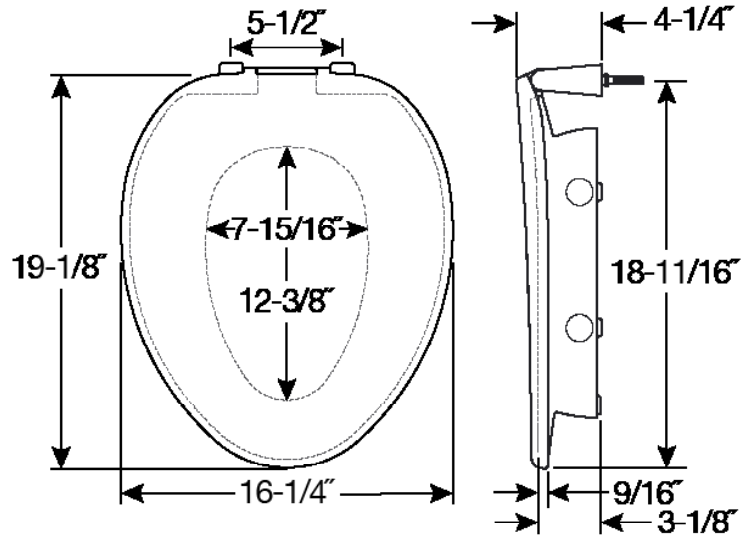


ASSURANCE™ E85320TSS

3" PREMIUM RAISED TOILET SEAT
WITH CLEAN·SHIELD™



FEATURES:

- **3" Raised Seat**
Assists with sitting and standing
- **Stay-Tite™ (Snap 2 Secure®) Commercial Fastening System™**
Never loosens. Guaranteed.
- **Clean•Shield™**
Keeps everything in the bowl
- **Residential Appearance**
Blends with home interiors
- **Heavy-Duty Oversized Ring**
For comfort and support
- **Self-Sustaining Check Hinges**
Keeps seat upright for standing use or cleaning, without slamming
- **Super-Grip™**
Stabilizing Bumpers

SPECIFICATIONS:

- Size:** Elongated
- Material:** Plastic
- Style:** Closed Front with Cover
- Ring Bumpers:** Four
- Hinges:** Plastic Self-Sustaining Check Hinges with Non-Corroding 300 Series Stainless Steel Posts & Pintles
- Hardware:** Stay-Tite™ Commercial Fastening System™
- Weight Capacity:** 1,000 lbs *

Codes & Standards:  Complies with IAPMO/ANSI Z124.5 Performance Standards Heavy-Duty Commercial

* Always check the load-bearing weight of the water closet.

